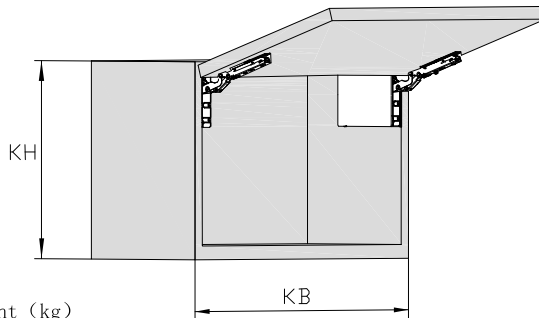


HK Lifting systems installation instruction

Product data			
Item	Door Height (mm)	Door Weight (kg)	Capability
HK1000	250-450	2-5	500-1350
HK2000	300-650	2.8-7	1100-2250
HK3000	350-650	4.5-10	2000-4050
HK4000	400-650	8-12	3500-5200

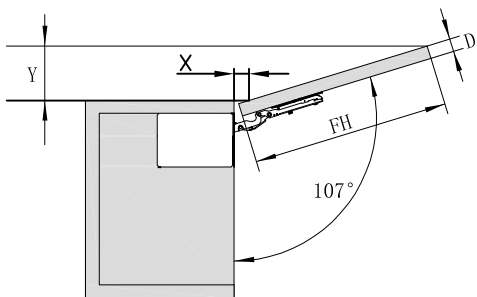
Capability=Door Height (mm) *Door Weight (kg)

If the capacity segments of the two models overlap, the model with larger capacity shall be selected.



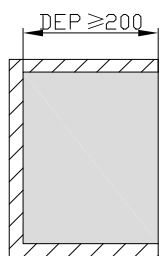
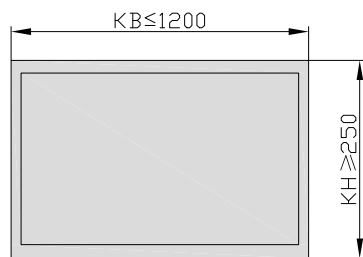
KH: Door Height: mm
KB: Door Width: mm



1

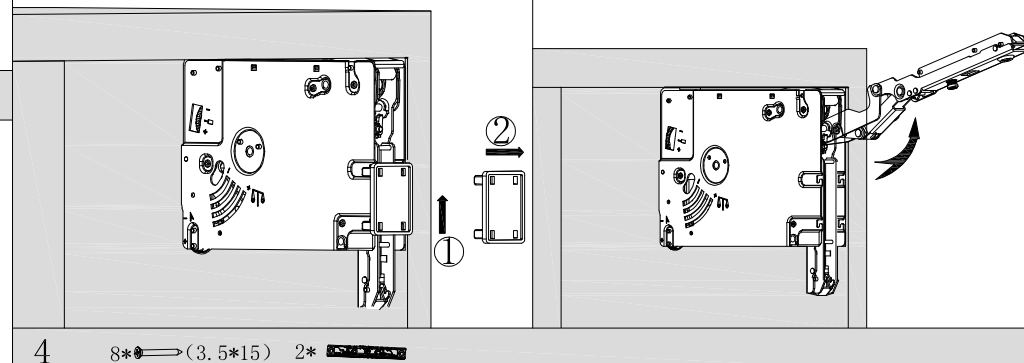
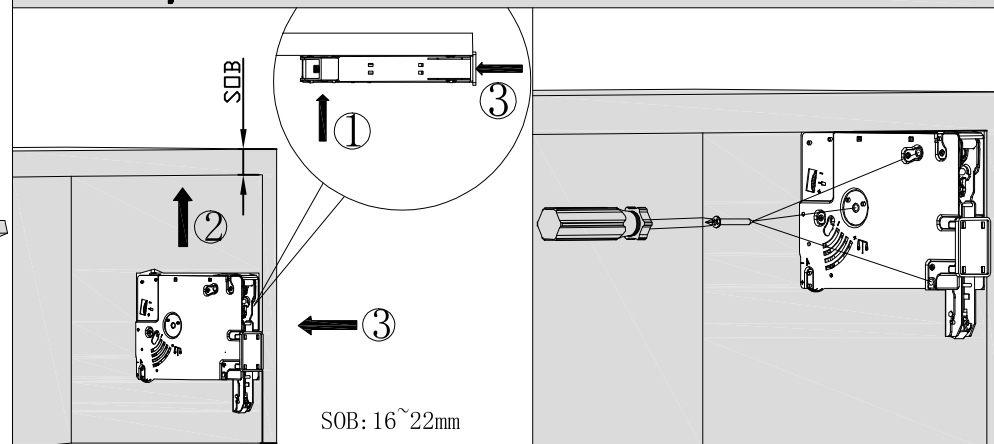



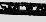
Open angle 107°		Y=FH*0.29-6		
D (MM)	16	19	22	26
X (MM)	70	59	49	26

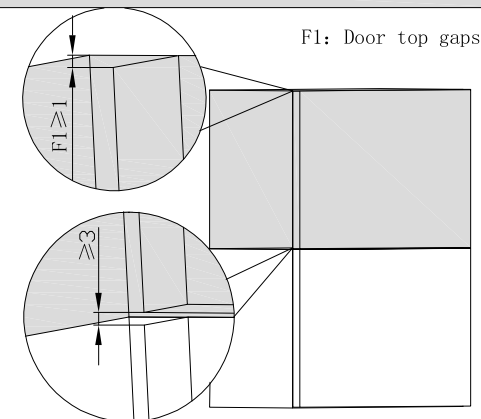
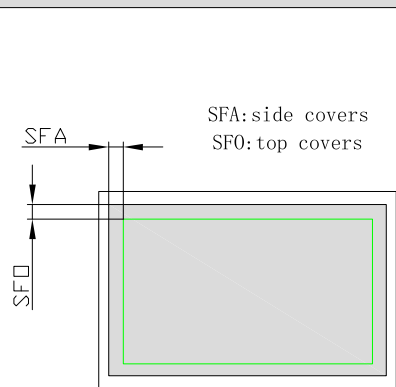
2



3 2*  3*  (4*38)



4 8*  (3.5*15) 2* 



F1: Door top gaps

SFA: side covers
SFO: top covers

